



True Espresso at a Touch.

The **Eversys e'4 CTM** marries market leading, Swiss-engineered, bean to cup technology with contemporary aesthetics and delivers the quality of a traditional crafted coffee. Ingeniously simple, simply ingenious.

Sophisticated Design

Modular build quality delivers easy service ability and sophisticated design.

Energy Efficient

High energy efficiency and elaborate thermal concept.

Remote Management

Simple management of the e4 coffee system wherever you are via telemetry/LAN connection.

Authentic Barista Style

Innovative reverse extraction brewing delivers a barista quality espresso consistently, with extremely high quality milk foam. Truly special.

Ease of Use

Intuitive user interface and a fully automatic cleaning system.

High Performance

High performance coffee machine with a high performance-volume ratio; 350 espresso shots per hour and a 5.6 litre steam vessel providing non-stop performance

Machine Specifications

Power

This machine requires access to 1 x 32amp plug socket on site.

Water

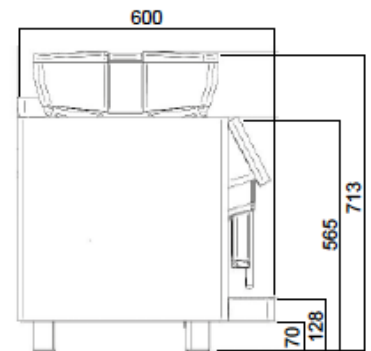
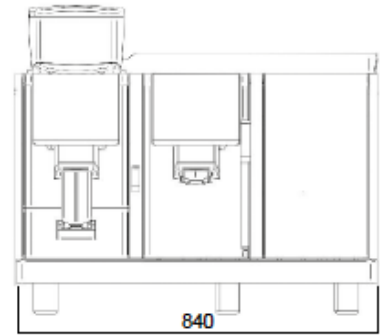
This machine requires a 15mm cold water feed with isolated stop valve, 3/4 inch-BSP screw fittings used (standard for washing machines). 1-3 BAR pressure is needed to run the machine. Very high/low pressure will need to be addressed prior to install with a pump fitted for low pressure and a regulator fitted for high pressure.

Filter

This machine will require a minimum of a BRITA C300 water filter (provided at time of install). Please make sure there is sufficient room for the filter next to the water supply

Waste

This machine requires 1½ inch down pipe.



Dimensions (mm):	W840	D600	D713
Weight Net Gross (kg):	94		
Power (AMPs):	32		
Largest Cup Weight:	16oz		
CTM:	Coffee.Tea.Milk.		